

# TECREEL

## 2 PORT SWIVEL

Maximum operating pressure 300 Bar (4350 lbf/in<sup>2</sup>).

Suitable for use with Type 4, 375 and Multifunction Tecreels.

Gives full 180° free hose movement.

Available with or without check valves.



### TECREEL 2 PORT Swivel Performance Data

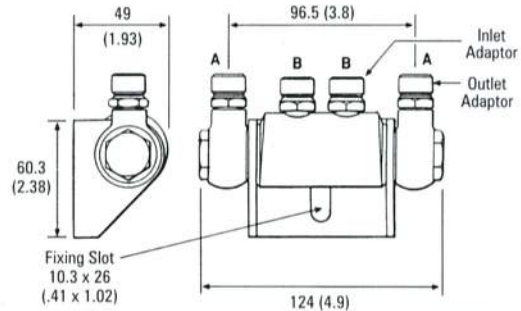
Type	PRESSURE DROP	
	22.7 Litres (5 Gall) per minute	45.5 Litres (10 Gall) per minute
Swivel OA50193 with check valve	2.8 Bar (40 lbf/in <sup>2</sup> )	8.5 Bar (123 lbf/in <sup>2</sup> )
Swivel OA50194 without check valve	2 Bar (29 lbf/in <sup>2</sup> )	6.8 Bar (98 lbf/in <sup>2</sup> )

The above figures are based on SHELL Tellus 37; viscosity 55/63 cSt

### 2 PORT Swivel Seal Kit

51601

2 Port Swivel Replacement Seal Kit



Inlet and Outlet Adaptors not fitted to standard Swivels

A = Outlet Port  
B = Inlet Port

Note: Dimensions are in Millimetres with Inch equivalents in brackets

### TECREEL Swivel Adaptors

Part number	Thread
34865-223	1/4in BSP
34866-625	3/8in BSP
34811-627	9/16in JIC
34832-206	3/4in JIC
34857-205	M16 x 1.5 (24° seat)
34857-203	M16 x 1.5 (60° seat)
34857-206	M18 x 1.5 (24° seat)
34857-204	M18 x 1.5 (60° seat)
25145-107	'O' Ring

Standard 2 port swivels are supplied without inlet and outlet adaptors, which should be ordered separately from this table.

Note: the maximum tightening torque to effect ceiling of swivel adaptors is 15 lb/ft.



**TECREEL** Interlube Systems Ltd  
St Modwen Road, Parkway Industrial Estate  
Plymouth, Devon, England PL6 8LH  
Tel: +44 (0)1752 676000  
Fax: +44 (0)1752 676001  
e-mail: [info@interlubesystems.com](mailto:info@interlubesystems.com)  
Web Site: [www.interlubesystems.com](http://www.interlubesystems.com)



[www.interlubesystems.com](http://www.interlubesystems.com)

HELP DESK • PRODUCT RANGE • LITERATURE REQUEST

For advice on which product is most suitable for your needs - visit our web site from where you can e-mail us your requirements. Our Help Desk will respond within 24hrs by return e-mail or phone.



ISO 9001:2015